

ANTILOCK BRAKING SYSTEM PARTS

*Stocking Guide
for ABS*

*A quick guide to the most popular
and fast-moving ABS parts.*

Carry the Best. Sell the Best.
Bendix® ABS Products.
Bendix Commercial Vehicle Systems, LLC.



Tractor/Truck Suggested Stock



Wheel Speed Sensors	Description	Part No.	Recommended Stock Level*
WS-24™ Speed Sensor	DT, straight, 1905mm lead	801552	High
WS-24™ Speed Sensor	DT, 90 degree, 1016mm lead	801551	High
WS-24™ Speed Sensor	DTM, 90 degree, 1524mm lead	801546	High
WS-24™ Speed Sensor	DIN, straight head, 1687mm lead	801543	High
WS-24™ Speed Sensor	DT, 0 deg head, 1524mm lead	801549	High
WS-24™ Speed Sensor	DIN, 90 deg, 1919mm lead	801538	Med
WS-24™ Speed Sensor	DTM, 90 degree, 1219mm lead	801548	Med
WS-24™ Speed Sensor	DT, straight, 1016mm lead	801553	Med
WS-24™ Speed Sensor	P(150.2), 90 degree w/convoluted tubing, 1905mm lead	801566	Med
WS-24™ Speed Sensor	DT, straight head, 2617mm lead	801565	Med
WS-24™ Speed Sensor	DT, 90 deg, 1905mm lead	801550	Med
WS-24™ Speed Sensor	GT 150, straight w/ convoluted tubing, 1092mm lead	801556	Med
WS-24™ Speed Sensor	P(150.2), straight, 1600mm lead w/convoluted tubing	801567	Med
WS-24™ Speed Sensor	DIN, 90 deg, 319mm lead, low temp cable (trailer market only)	801544	Med
WS-24™ Speed Sensor	GT 150, 90 deg, 949mm lead w/convoluted tubing	801558	Med
WS-24™ Speed Sensor	DTM, Straight, 1524mm lead	801563	Med
WS-24™ Speed Sensor	DIN, Straight, 1987mm lead	801542	Med
WS-24™ Speed Sensor	DT, 90 degree, 2617mm lead	801836	Med
WS-24™ Clamp Sleeve	Wheel speed sensor clamp sleeve	801534	High
Electronic Control Units (ECU's)			
EC-30™ Controller	ABS ECU	801236	Med
EC-60™ Controller	ABS-6 Standard with PLC, in-cab mount	801877	Low
EC-60™ Controller	ABS-6 Premium (ATC) with PLC, in-cab mount	803167	Low
Gen 4/5™ Controller	Basic Gen 5 unit, 4-ch., ABS only with PLC - frame mount	801762	Low
Gen 4/5™ Controller	Basic Gen 5 unit, 4-ch., ABS only with PLC - frame mount	801760	Low
Gen 4/5™ Controller	Basic Gen 5 unit, 4-ch., ABS only with PLC - in-cab mount	801752	Low
Gen 4/5™ Controller	Gen 5 unit capable of 6-ch., ABS/ATC but configured for 4S/4M ABS with PLC - in-cab mount	801753	Low
Diagnostics (ECU's)			
RDU	Remote Diagnostic Unit for Bendix trailer ABS systems	801869	High
RDU	9-pin to 6-pin adapter cable	801872	Med
RDU	9-pin to 9-pin extension cable	802229	Med
Modulators			
M-32QR™ Valve	QR modulator valve w/1/2" NPT ports & Packard connector	801481	High
M-32QR™ Valve	QR modulator valve w/1/2" core PTC ports & Packard connector	801479	Med
M-32™ Valve	Modulator valve w/1/2" NPT ports & Packard connector	801585	Low
M-32™ Valve	Spare Kit consists of part no's 5016842 harness & 801585 M-32 Modulator	802363	Low
M-32™ Valve	Modulator valve w/1/2" NPT ports and Bayonet connector	801665	Low
Antilock Relay Valves			
AR-1™ Valve	With 2 1/2" NPT delivery port (valve style "C")	800179	Low
AR-2™ Valve	With 1/2" PT delivery port (View 2) / Freightliner	800299	Low
AR-1™ Valve	With 2 1/2" NPT delivery port (valve style "C") / Freightliner	800297	Low
AR-2™ Valve	With 1/2" PT delivery port (View 2)	800186	Low
R-15 Relay Valve	4.0 p.s.i. crack pressure	801928	Low
R-15 Relay Valve	5.5 p.s.i. crack pressure	801929	Low
R-15 Relay Valve	4.0 p.s.i. crack pressure with bracket	801935	Low
R-15 Relay Valve	5.5 p.s.i. crack pressure with bracket	802351	Low
Antilock Relay Valves w/ Traction			
ATR-1™ Valve	With 1/2" PT delivery port & DT04-2P connector	800030	Low
ATR-1™ Valve	With 1/2" delivery port & DT06-2S connector	800818	Low
ATR-2™ Valve	With 3/8" delivery ports & DT04-2P connector	065663	Low
ATR-2™ Valve	With 1/2" delivery port & DT04-2P connector	065509	Low
ATR-3™ Valve	With 1/2" delivery port & bayonet connector 5.5 p.s.i. crack pressure	801930	Low
ATR-3™ Valve	With 1/2" delivery port & bayonet connector 4.0 p.s.i. crack pressure	801932	Low
ATR-3™ Valve	With 1/2" delivery port & bayonet conn 5.5 p.s.i. crack pressure w/brkt	801933	Low
ATR-3™ Valve	With 1/2" delivery port & bayonet conn 4.0 p.s.i. crack pressure w/brkt	801934	Low

*Recommended Stock Levels: High 10+, Medium 5-9, Low 1-4.

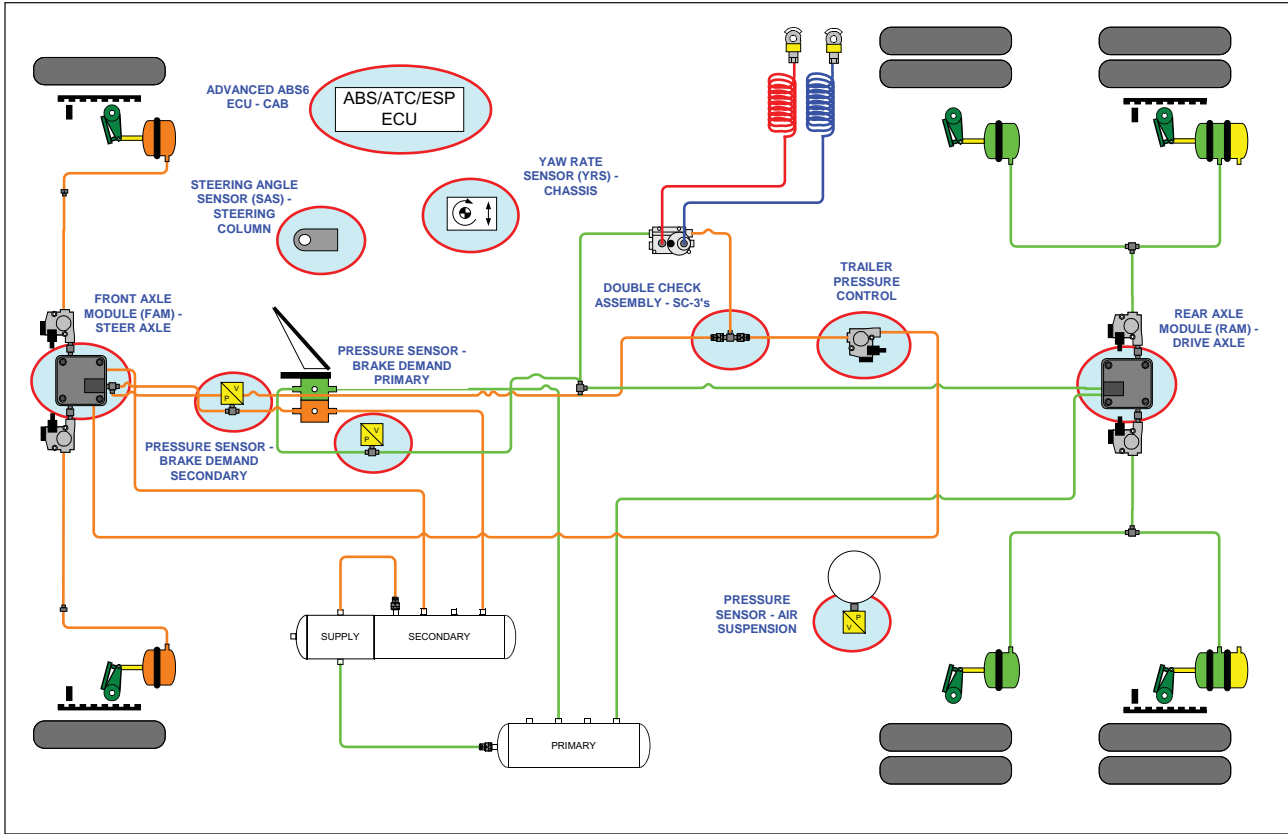
ABS Assembly	Description	Part No.	Recommended Stock Level*
ABS Assembly			
TABS-6 Standard	Standard, 4 port, 2S/1M Axle Only	801855	High
TABS-6 Standard	Standard, 4 port, 2S/1M Dolly-Axle Only	801990	Med
TABS-6 Premium	Premium, 4 port, 2S/1M Dolly-Axle, 2S/2M Axle, 4S/2M Side, 4S/3M Side/Axle	801856	Low
TABS-6 Premium	Premium, 4 port, 2S/1M Axle, 2S/2M Axle, 4S/2M Axle	801991	Low
ECU Pigtail			
TABS-6 Standard	Standard, 2S/1M - Pwr (5-pin only) 60 in.	801996	Med
TABS-6 Premium	Premium, 2S/1M - Pwr, 180 in. (diag. 9 in.)	802002	Med
Power Harness			
TABS-6 Harness	5-pin Packard, 120 in., Warning Lamp (10 in.) Non-Terminated	802016	Med
Wheel Speed Sensors Lead Extensions			
WS-24™ Sensor Lead	DIN, 120 in.	802026	Med
WS-24™ Sensor Lead	DIN, 40 in.	802024	Low
WS-24™ Sensor Lead	DIN, 60 in.	802052	Low
WS-24™ Sensor Lead	DIN, 80 in.	802025	Low
WS-24™ Sensor Lead	DIN, 160 in.	802027	Low
WS-24™ Sensor Lead	DIN, 260 in.	802946	Low
Wheel Speed Sensors			
WS-24™ Speed Sensor	DIN, 90 degree, 16 in. (PUR)	801544	High
WS-24™ Speed Sensor	Deutsch, 90 degree, 60 in.	801546	Med
WS-24™ Speed Sensor	Deutsch, 90 degree, 103 in.	801545	Med
WS-24™ Speed Sensor	Deutsch, 90 degree, 137 in.	801547	Med
WS-24™ Speed Sensor	Deutsch, 90 degree, 12 in.	801548	Med
WS-24™ Speed Sensor	Deutsch, Straight, 103 in.	801563	Med
WS-24™ Clamp Sleeve	Wheel speed sensor clamp sleeve	801534	High
Diagnostic			
TRDU	Trailer remote diagnostic unit for Bendix trailer ABS systems	802162	Med
TRDU	7-pin adapter	802165	Med
TRDU	7-pin TRDU kit (TRDU unit and adapter)	5017434	Med
A-18 Replacement Kits*			
TABS-6 Kit for A-18	2S/1M Axle Control, 60 in. ECU pigtail	K019708	Med
TABS-6 Kit for A-18	2S/1M Axle Control, 234 in. ECU pigtail	K019711	Med
MC-12 Replacement Kits**			
TABS-6 Kit for MC-12	2S/1M Axle Control, 60 in. ECU pigtail, 5-pin	802893	Low
TABS-6 Kit for MC-12	2S/1M Axle Control, 234 in. ECU pigtail, 5-pin	802902	Low
MC-30 Replacements			
MC-30	2S/1M, 4S/2M-Side Reservoir Mount	800737	Med
MC-30	2S/1M, 4S/2M-Side Bracket Mount	800820	Med
EC-30T Replacements			
EC-30T	2S/1M, 4S/2M-Side – ECU Only	801268	Low

*Note: TAB-6 is the replacement product for all A-18 trailer ABS applications. See PNU 109-000A for additional A-18 replacement options.

**Note: TAB-6 is the replacement product for all MC-12 trailer ABS applications. See PNU 110-000A for additional MC-12 replacement options.

***Recommended Stock Levels: High 10+, Medium 5-9, Low 1-4.**

Example 1: ABS with ESP (Electronic Stability Program)



Example 2: 2S/1M Trailer ABS

